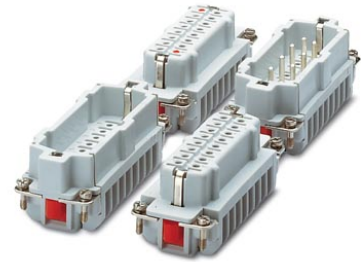


HC-HV 6-ESTS

Order No.: 1773352

The illustration shows a combination of versions HC-HV -6-EBUC, -6-EBUS,
-6-ESTC and -6-ESTS<http://eshop.phoenixcontact.de/phoenix/treeViewClick.do?UID=1773352>HEAVYCON male insert, for 690 V(III/3), with 6 N/O contacts and 2
switching contacts, screw connection

| Commercial data | |
|--------------------------|--------------------|
| EAN | 4017918103675 |
| Pack | 10 Pcs. |
| Customs tariff | 85366990 |
| Weight/Piece | 0.08596 KG |
| Catalog page information | Page 201 (PC-2005) |

Product notesWEEE/RoHS-compliant since:
03/08/2006

<http://www.download.phoenixcontact.com>
Please note that the data given here has been taken from the online catalog. For comprehensive information and data, please refer to the user documentation. The General Terms and Conditions of Use apply to Internet downloads.

| Technical data | |
|---------------------------------|------------------------------------------------------|
| General data | |
| Note | For housings HC ADVANCE-B16, HC-HV 6 |
| Connection systems | Screw connection |
| Tightening torque | 0.5 Nm |
| Ambient temperature (operation) | -40 °C ... 125 °C (including heating up of contacts) |
| Pollution degree | 3 |
| Surge voltage category | III |
| Test voltage | 3 kV AC |

| | |
|-----------------------------------------|---------------------------------------------|
| Constructional and testing regulations | DIN VDE 0627/86 |
| | DIN VDE 0110/02.79 |
| | DIN VDE 0110-1/04.97 |
| | IEC 60664-1, DIN IEC 60512 |
| | IEC 60352 |
| Number of positions | 6 |
| Insertion/withdrawal cycles | ≥ 500 |
| Design | HV6 |
| Conductor cross section | 0.5 mm ² ... 2.5 mm ² |
| Connection cross section AWG | 20 ... 14 |
| Stripping length of the individual wire | 7 mm (N/O contacts) |
| | 7 mm (control contacts) |

Material data

| | |
|------------------------------------|--------------|
| Inflammability class acc. to UL 94 | V0 |
| Contact material | Copper alloy |
| Contact surface material | Ag |
| Contact carrier material | PA |

Electrical characteristics

| | |
|-----------------------|--------------------------|
| Rated voltage (III/3) | (400/690 V N/O contacts) |
| | (250 V control contacts) |
| Rated surge voltage | 6 kV (N/O contacts) |
| | 4 kV (control contacts) |
| Rated current | 16 A |

Certificates / Approvals

Approval logo



requested approbations

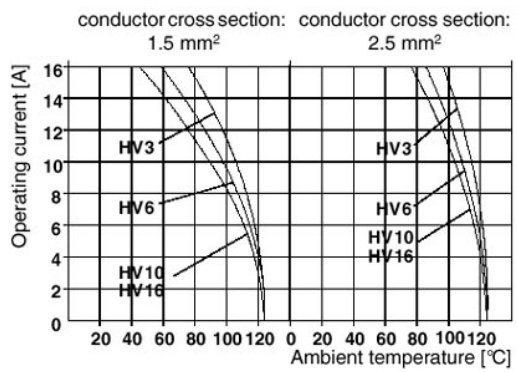
| | |
|---------------|------|
| Certification | GOST |
|---------------|------|

Accessories

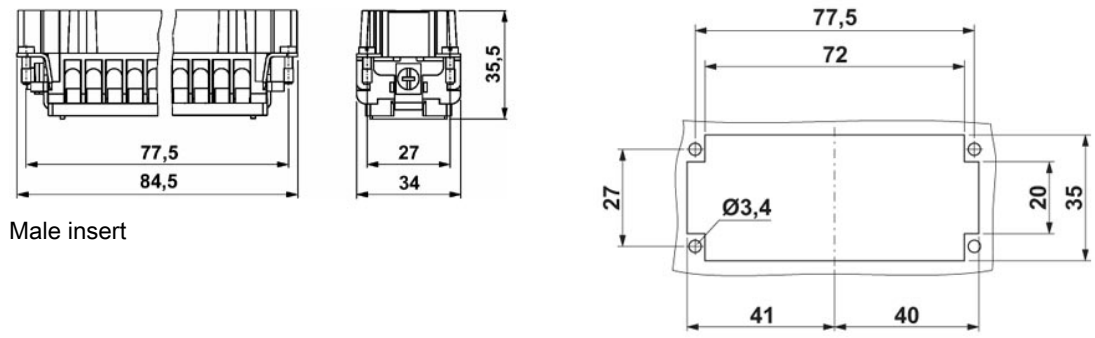
| Item | Designation | Description |
|----------------|-------------|---------------------------------------------------------------------------------------------------------------------------|
| General | | |
| 1644326 | HC-B-3PE | PE multiplier, for three PE connections, for HC-B (besides HC-B..E..ZZ) / HC-BB / HC-DD / HC-D40 / HC-D64 contact inserts |

Drawings

Diagram

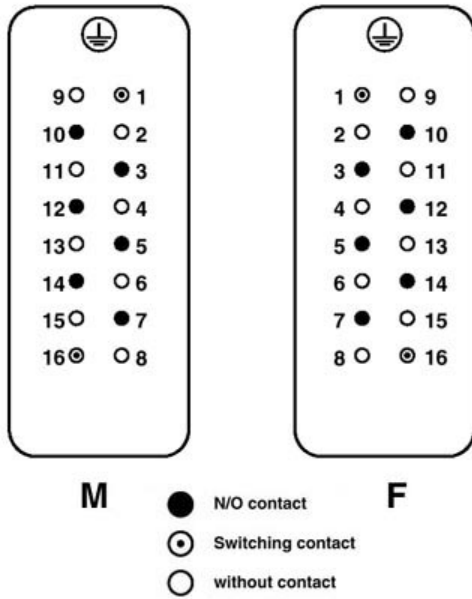


Dimensioned drawing



Schematic diagram

View termination side



Address

PHOENIX CONTACT GmbH & Co. KG
Flachmarktstr. 8
32825 Blomberg, Germany
Phone +49 5235 3 00
Fax +49 5235 3 41200
<http://www.phoenixcontact.com>



© 2008 Phoenix Contact
Technical modifications reserved;